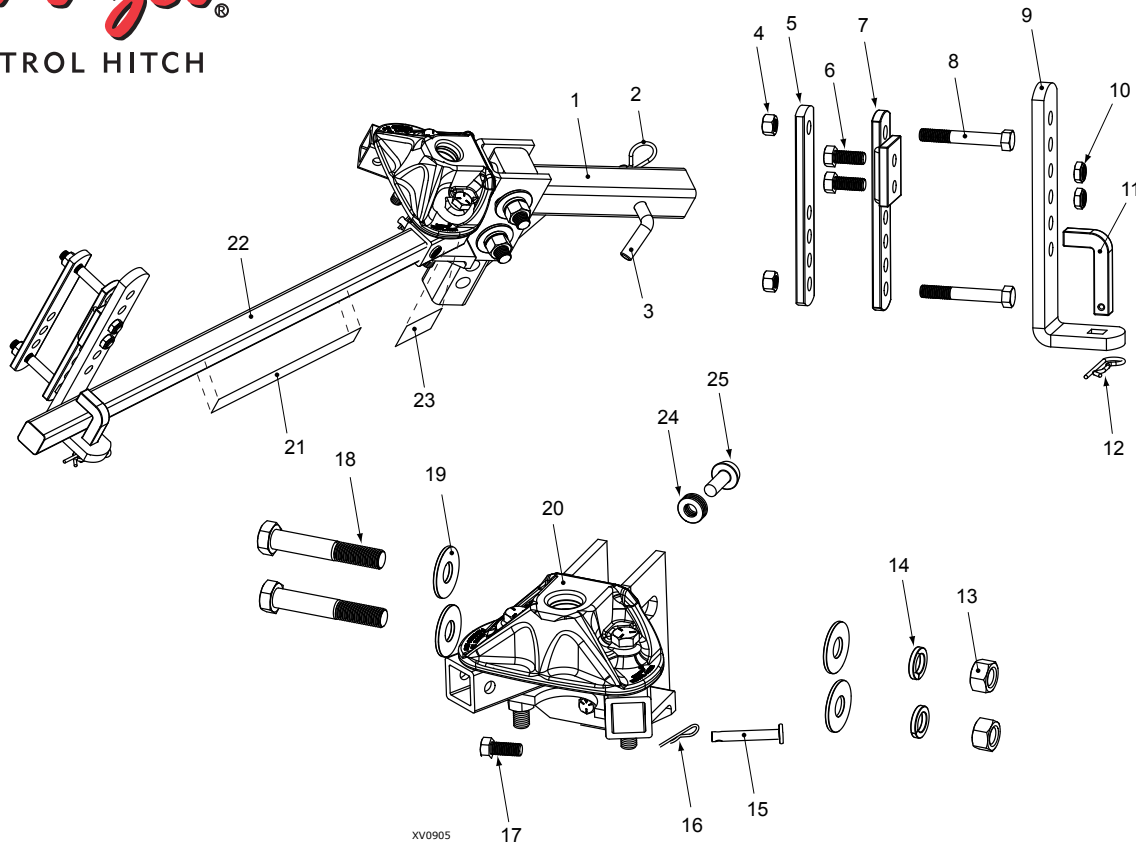


Parts Breakdown Models 6K - 14K



<i>Illustration #</i>	<i>Part #</i>	<i>Part Description</i>
1	90-02-4100	Adjustable Shank
2	90-04-9224	Hitch Pin Clip
3	90-03-9220	HITch Pin
4	90-04-9228	1/2" Nut
5	90-02-5200	Inside Link Plate
6	90-04-9280	1/2" x 1-1/4" Bolt
7	90-02-5350	Outside Link Plate
8	90-04-9270	1/2" x 3-1/2" Bolt
9	90-02-5150	L-Bracket
10	90-04-9285	Nylock Jam Nut
11	90-03-9204	L-Pin
12	90-04-9208	L-Pin Clip
13	90-04-9126	3/4" Nut
14	90-04-9120	3/4" Lock Washer
15	90-03-9212	Socket Pin
16	90-04-9216	Socket Pin Clip
17	90-03-9700	Angle Set Bolt
18	90-04-9131	3/4" x 5" Bolt
19	90-04-9115	3/4" Washer
20	90-02-0600	600 / 6,000 lb. head
	90-02-1000	1,000 / 10,000 lb. head
	90-02-1200	1,200 / 12,000 lb. head
	90-02-1400	1,400 / 14,000 lb. head
21	BD063	6,000 lb. arm sticker
	BD103	10,000 lb. arm sticker
	BD1203	12,000 lb. arm sticker
	BD1403	14,000 lb. arm sticker
22	90-02-0699	6,000 lb. Spring Arm (1)
	90-02-1099	10,000 lb. Spring Arm (1)

<i>Illustration #</i>	<i>Part #</i>	<i>Part Description</i>
22	90-02-1299	12,000 lb. Spring Arm (1)
	90-02-1499	14,000 lb. Spring Arm (1)
23	BD034	Socket Warning Sticker
24	90-04-9110	Spacer Washer
25	90-03-9105	Spacer Rivet

Other Items Not Pictured

<i>Part #</i>	<i>Part Description</i>
Specialty Shanks	
90-02-4200	2" sq. x 4" Drop / 8" Rise x 12" Length
90-02-4300	2" sq. x 6" Drop / 10" Rise x 12" Length
90-02-4400	2" sq. x 9" Drop / 13" Rise x 12" Length
90-02-4500	2" sq. x 3" Drop / 7" Rise x 18" Length
90-02-4600	2" sq. x 4" Drop / 8" Rise x 18" Length
90-02-4700	2 1/2" sq. x 3" Drop / 7" Rise x 12" Length
90-02-4800	2 1/2" sq. x 4" Drop / 8" Rise x 12" Length
90-02-4900	2 1/2" sq. x 6" Drop / 10" Rise x 12" Length
Hardware Packages	
90-02-9100	Bolt Pack - Includes # 13, 14, 18, 19, 24, 25
90-02-9200	Pin Pack - Includes # 2, 3, 4, 6, 8, 10, 11, 12, 15, 16
Sway Bracket Kit	
95-01-5600	Sway Bracket Complete - Includes # 4 - 12
Snap-up Lever	
90-03-6100	Hook
90-03-6200	Handle
90-04-9240	Bolt
90-04-9244	Nut