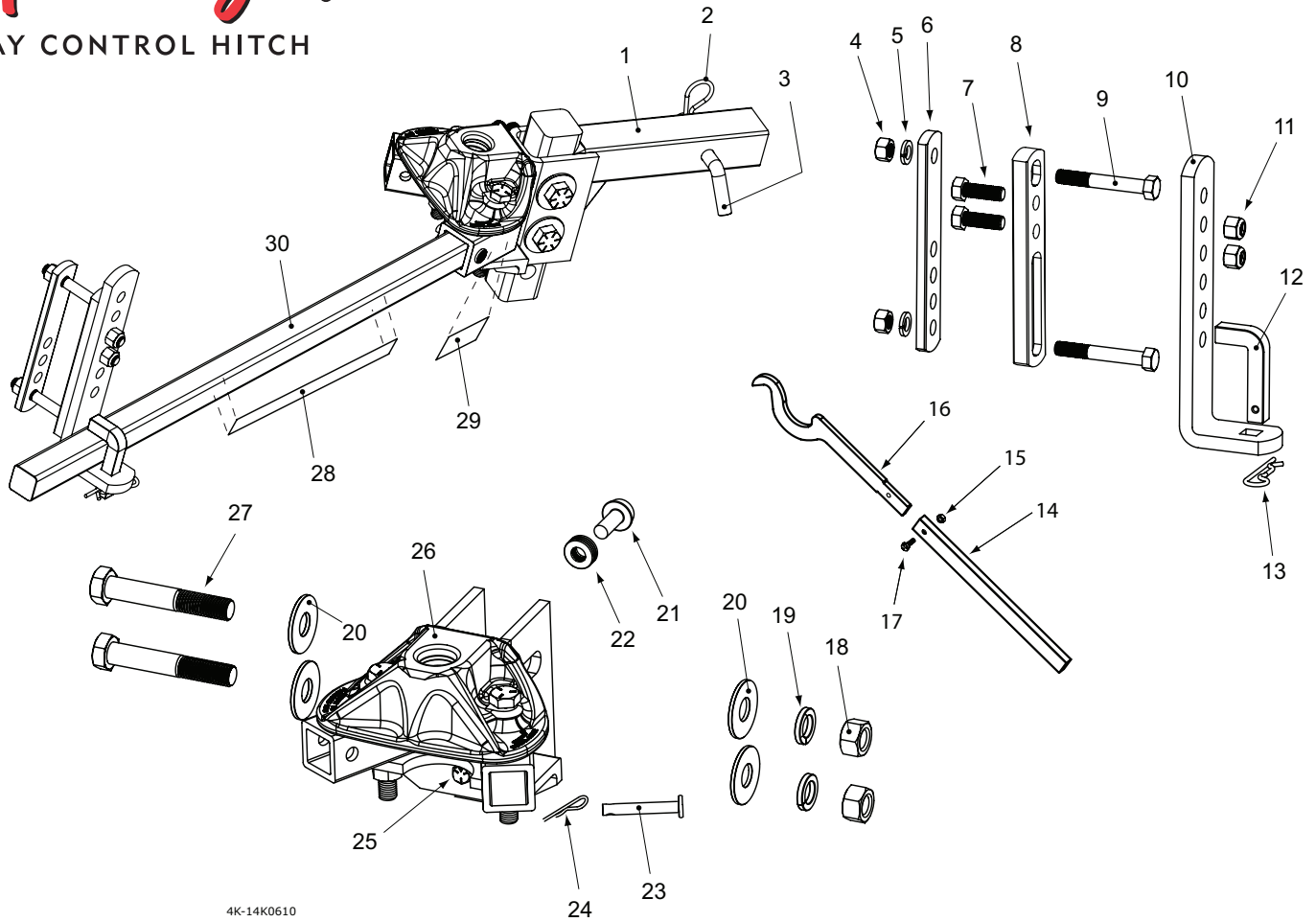


THE ORIGINAL
Equal-i-zer[®]

SWAY CONTROL HITCH

Parts Breakdown Models 6K - 14K



4K-14K0610

Item #	Part Number	Part Description	Qty.
1	90-02-4100	Adjustable Shank	1
2	90-04-9224	Hitch Pin Clip	1
3	90-03-9220	Hitch Pin	1
4	90-04-9228	1/2" Nut	4
5	90-04-9290	1/2" Lock Washer	4
6	90-02-5200	Inside Link Plate	2
7	90-04-9281	1/2" x 1-1/2" Bolt	4
8	90-02-5370	Outside Link Plate	2
9	90-04-9270	1/2" x 3-1/2" Bolt	4
10	90-02-5150	L-Bracket	2
11	90-04-9286	Nylock Jam Nut	4
12	90-03-9204	L-Pin	2
13	90-04-9208	L-Pin Clip	2
14	90-03-6200	Snap-up Handle	1
15	90-04-9244	1/4" Snap-up Nut	1
16	90-03-6100	Snap-up Hook	1
17	90-04-9240	1/4" Snap-up Bolt	1
18	90-04-9126	3/4" Nut	2
19	90-04-9120	3/4" Lock Washer	2
20	90-04-9115	3/4" Washer	4

continued

21	90-03-9105	Spacer Rivet	1
22	90-04-9110	Spacer Washer	6
23	90-03-9212	Socket Pin	2
24	90-04-9216	Socket Pin Clip	2
25	90-03-9700	Angle Set Bolt	1
26	90-02-0600 90-02-1000 90-02-1200 90-02-1400	600 / 6,000 lb. head 1,000 / 10,000 lb. head 1,200 / 12,000 lb. head 1,400 / 14,000 lb. head	1
27	90-04-9131	3/4" x 5" Bolt	2
28	BD064 BD104 BD124 BD144	Arm Warning Stickers 6,000 lb. arm sticker 10,000 lb. arm sticker 12,000 lb. arm sticker 14,000 lb. arm sticker	2
29	BD035	Socket Warning Sticker	2
30*	90-02-0699 90-02-1099 90-02-1299 90-02-1499	6,000 lb. Spring Arm 10,000 lb. Spring Arm 12,000 lb. Spring Arm 14,000 lb. Spring Arm	2