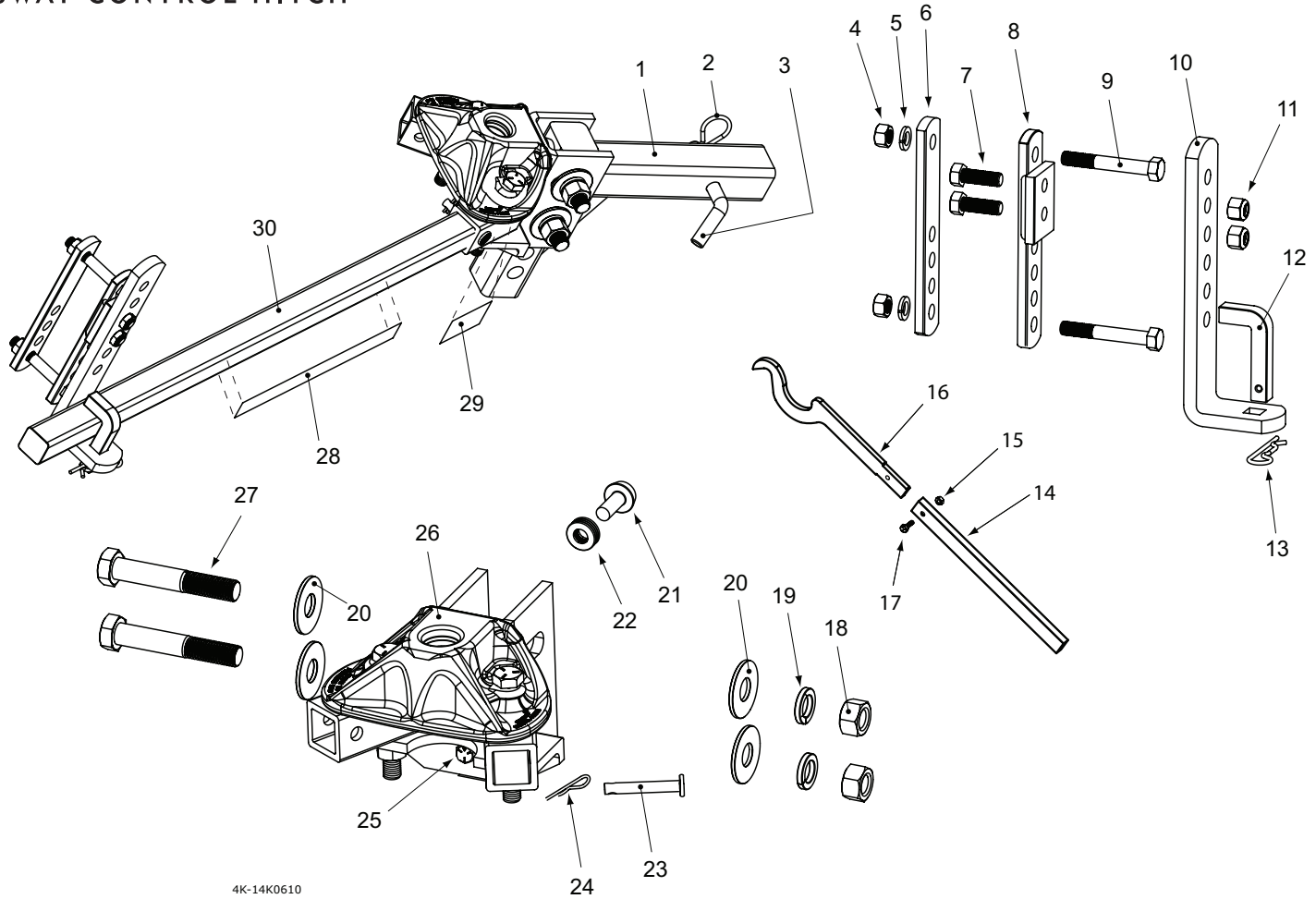


THE ORIGINAL  
**Equal-i-zer**<sup>®</sup>  
SWAY CONTROL HITCH

# Parts Breakdown 4K Model



4K-14K0610

Item #	Part Number	Part Description	Qty.
1	90-02-4140	Adjustable Shank	1
2	90-04-9224	Hitch Pin Clip	1
3	90-03-9220	Hitch Pin	1
4	90-03-9475	3/8" Nut	4
5	90-03-9490	3/8" Lock Washer	4
6	90-02-5240	Inside Link Plate	2
7	90-03-9480	7/16" x 1-1/4" Bolt	4
8	90-02-5340	Outside Link Plate	2
9	90-03-9470	3/8" x 3-1/4" Bolt	4
10	90-02-5140	L-Bracket	2
11	90-03-9486	Nylock Jam Nut	4
12	90-03-9460	L-Pin	2
13	90-04-9208	L-Pin Clip	2
14	90-03-6200	Snap-up Handle	1
15	90-04-9244	1/4" Snap-up Nut	1
16	90-03-6140	Snap-up Hook	1
17	90-04-9240	1/4" Snap-up Bolt	1
18	90-03-9425	5/8" Nut	2
19	90-03-9420	5/8" Lock Washer	2
20	90-03-9415	5/8" Washer	4
21	90-03-9105	Spacer Rivet	1
22	90-04-9110	Spacer Washer	6
23	90-03-9212	Socket Pin	2
24	90-04-9216	Socket Pin Clip	2
25	90-03-9700	Angle Set Bolt	1
26	90-02-0400	400 / 4,000 lb. head	1
27	90-03-9410	5/8" x 4-1/2" Bolt	2
28	BD043	Arm Warning Stickers 4,000 lb. arm sticker	2
29	BD035	Socket Warning Sticker	2
30*	90-02-0499	4,000 lb. Spring Arm	2

*continued*

17	90-04-9240	1/4" Snap-up Bolt	1
18	90-03-9425	5/8" Nut	2
19	90-03-9420	5/8" Lock Washer	2
20	90-03-9415	5/8" Washer	4
21	90-03-9105	Spacer Rivet	1
22	90-04-9110	Spacer Washer	6
23	90-03-9212	Socket Pin	2
24	90-04-9216	Socket Pin Clip	2
25	90-03-9700	Angle Set Bolt	1
26	90-02-0400	400 / 4,000 lb. head	1
27	90-03-9410	5/8" x 4-1/2" Bolt	2
28	BD043	Arm Warning Stickers 4,000 lb. arm sticker	2
29	BD035	Socket Warning Sticker	2
30*	90-02-0499	4,000 lb. Spring Arm	2